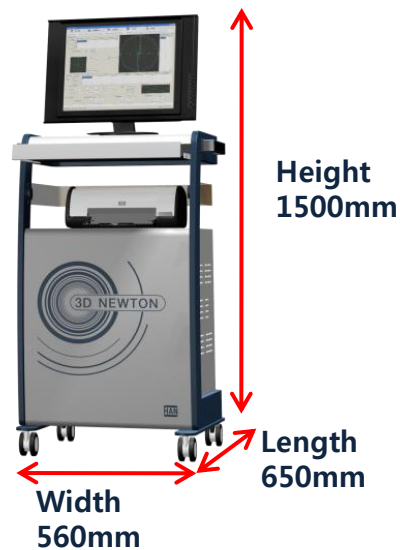
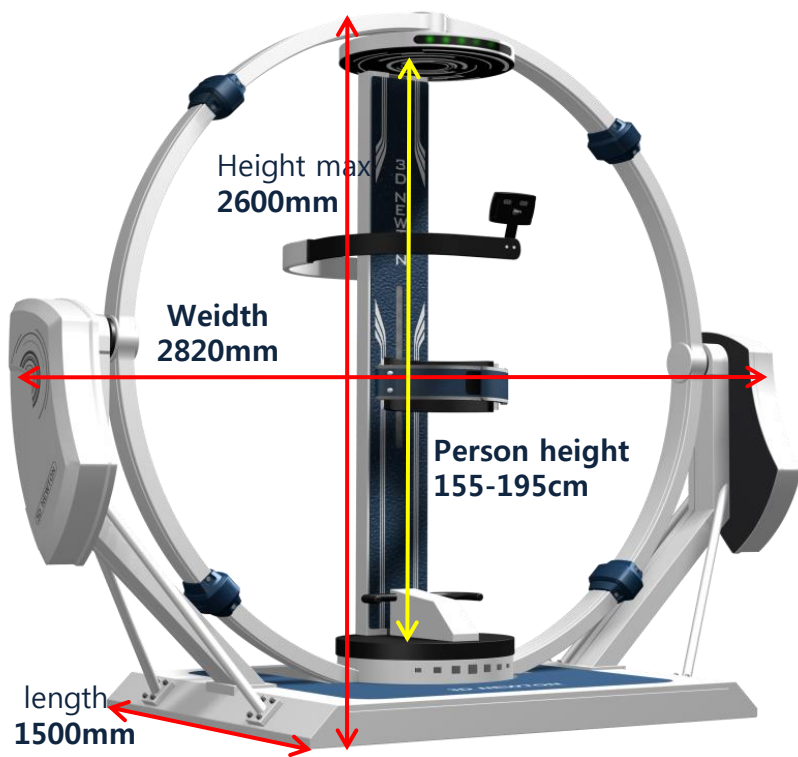
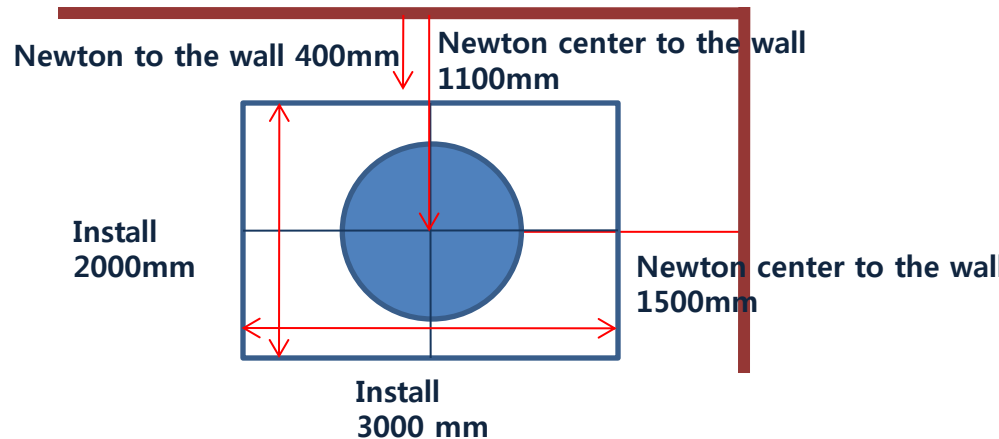


KNX KINETRAC 7000



3D NEWTON



▪ **KNX-7000 is not only more multiplied but also more convenient. And it is the most advanced therapy machine that controls all operations. It has Built in computer Programs that controls easily every functions.**

▪ **Main Body : 1 EA**

- Auto sensing Disc target Decompression system Control L/H 0 - 30mm
- Hip joint Flexion 7° & Extension Control 0°- 5°-10°-15°
- Trunk & Hip joint 0°- 5°-10°- 15° Both and one side lateral bending
- Cervical ROM Decompression 0°- 5°-10°- 15°Both and one side lateral bending

▪ **Fully computerized control 1 EA : Computer & PLC Control Table**

- Auto sensing KNX-7000 can monitor the condition and change of the patients' health through the data management about their disease and it's progress
- Setting-up program depending on disease, symptom, treatment phase, treatment progress, etc. easily adapts optimum programs to patients
- Setting-up for treatment and Progress are complicated, but it always embodies the most advanced program operation system based on adapting clinically useful treatment technique using software with the built in KNX-7000
- As soon as it started, all of health conditions and medical treatments progress during the remedy can be monitored at the look
- It monitors supplement, complement, re-modification for medical treatment method during the remedy in State Screen
- For ideal medical treatment, it has complex multimedia functions,
- For example audio function plays even music in same time which is able to enhance comfort and muscle relaxation of patient

▪ **Dimension**

- Body system L-W-H (2500mmX700mmX750mm), Weight : 150Kg
- Control table L-W-H (560mmX650mmX1050mm), Weight : 50Kg
- AC 220V 60Hz / 300W

▪ **3D NEWTON is 3D Gravitation Training system Using 360° Rotation and 0°~60° aslope Exercise embodiment in 3 Dimensions Sense, a motor nerve revitalization exercise essence proprioceptor stimulation Unbalance, instability dissolution Backbone depths muscle strengthening**

▪ **Main Body : 1 EA**

- Aslope 0°- 60° Multi slope angle control
- Rotation 0°- 360° Multi-rotation angle control
- Distance laser sensor 50 - 500mm : 2EA

▪ **Fully computerized control 1 EA : computer & PLC Control Table**

- Auto sensing 3D NEWTON can monitor the condition and change of the patients' health through the data management of their disease and it's progress
- Setting-up program depending on disease, symptom, treatment phase, treatment progress, etc. easily adapts optimum programs to patients
- Setting-up for treatment and Progress are complicated, but it always embodies the most advanced program operation system based on adapting clinically useful treatment technique using software with the built in 3D NEWTON
- As soon as it started, All of health conditions and medical treatment progress during remedy can be monitored at a look
- It monitors supplement, complement, re-modification for medical treatment method during remedy in State Screen
- For ideal medical treatment, it has complex multimedia functions,

Dimension

- Body system L-W-H (2820mmX1500mmX2400mm), Weight : 430Kg
- Control table L-W-H (560mmX650mmX1050mm), Weight : 70Kg
- AC 220V 60Hz/400W

SYMS&HANMED Co., Ltd

TEL +82-2-6000-0468
Hanmed.koreahq@gmail.com